



# Cat<sup>®</sup> CS79B

## SMOOTH DRUM VIBRATORY SOIL COMPACTOR

### FEATURES:

The Cat<sup>®</sup> CS79B features a smooth drum and is ideally suited for granular soil applications or cohesive soil applications with the use of an optional padfoot shell kit:

- **Comfortable and ergonomic operator station** features pivoting seat with integrated multifunction LCD display and control console, outstanding visibility to the front and rear of machine, low sound levels and vibration for greater operator comfort and productivity.
- **World-class propel system** built around the exclusive Cat dual pump propel system, two pumps provide separate dedicated flow to drum drive motor and rear axle motor for exceptional gradeability and traction in forward and reverse. New electronic propel control provides more precise machine control.

- **Virtually maintenance free** due to maintenance-free hitch bearings and extended maintenance intervals for vibratory system and hydraulic system, providing more uptime and lower maintenance costs.
- **Enhanced compaction performance** due to more weight at the drum and greater amplitude. Automated speed control and vibratory system functions make it easy to ensure consistent, high quality compaction.
- **Optional Cat Compaction Control** helps the operator determine when compaction has been completed to specification for greater productivity and uniform compaction quality. CMV or exclusive Machine Drive Power (MDP) measurement technology available.

## Specifications

### Engine - Power Train

Engine Model	Cat C6.6 with ACERT™	
Global Emissions	US EPA Tier 3/EU Stage IIIA	
Gross Power ISO 14396	129.5 kW	173.7 hp
Displacement	6.6 L	402.8 in <sup>3</sup>
Stroke	127 mm	5 in
Bore	105 mm	4.1 in
Max. Travel Speed (Forward or Reverse)	11.4 km/h	7 mph

### Weights

Operating Weight w/ steel sun canopy	20 220 kg	44,577 lb
w/ oval padfoot shell kit	20 357 kg	44,879 lb
w/ square padfoot shell kit	20 511 kg	45,219 lb
Operating Weight w/ ROPS/FOPS cab	20 220 kg	44,577 lb
w/ oval padfoot shell kit	20 357 kg	44,879 lb
w/ square padfoot shell kit	20 511 kg	45,219 lb
Weight at Drum w/ steel sun canopy	13 612 kg	30,009 lb
Weight at Drum w/ ROPS/FOPS cab	13 612 kg	30,009 lb

*Padfoot shell kit includes shell and replacement bumper.*

### Vibratory System Specifications

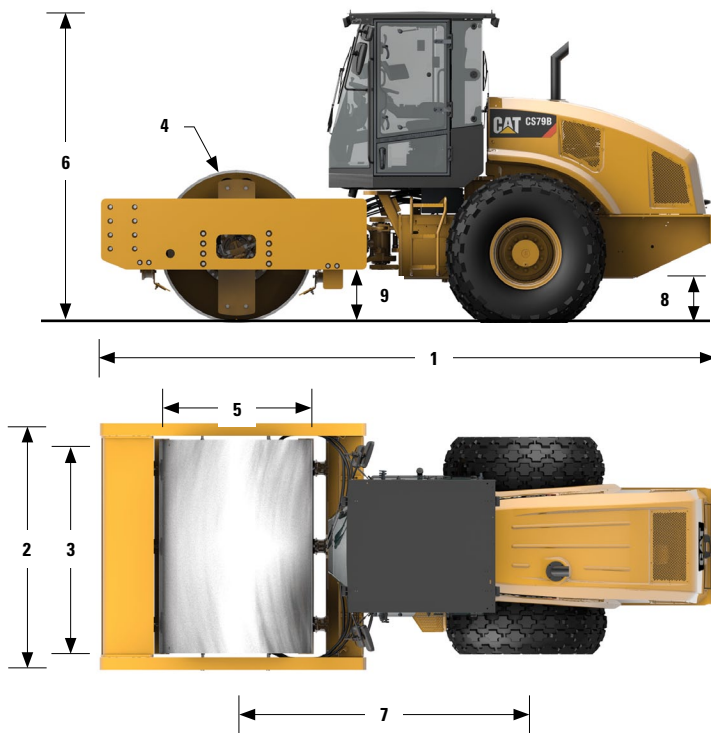
Frequency		
Standard	28 Hz	1680 vpm
During Eco-mode Operation	25.5 Hz	1527 vpm
Optional Variable Frequency	23.3-28 Hz	1400-1680 vpm
Nominal Amplitude @ 28 Hz (1680 vpm)		
High	2.1 mm	0.083 in
Low	0.98 mm	0.039 in
Centrifugal Force @ 28 Hz (1680 vpm)		
Maximum	332 kN	74,600 lb
Minimum	166 kN	37,300 lb
Static Linear Load		
w/ steel sun canopy	63.8 kg/cm	357 lbs/in
w/ ROPS/FOPS cab	63.8 kg/cm	357 lbs/in

### Service Refill Capacities

Fuel Tank, total capacity	332 L	88 gal
Cooling System	28.2 L	7.5 gal
Engine Oil w/ Filter	17.4 L	4.6 gal
Eccentric Weight Housings	26 L	6.9 gal
Axle and Final Drives	24 L	6.3 gal
Hydraulic Tank (service refill)	50 L	13.2 gal



# CS79B Vibratory Soil Compactor



## Dimensions

1 Overall Length	6.13 m	20.1 ft
2 Overall width	2.46 m	8.08 ft
3 Drum Width	2134 mm	84 in
4 Drum Shell Thickness	40 mm	1.6 in
5 Drum Diameter	1534 mm	60.4 in
6 Maximum Overall Height	3.11 m	10.2 ft
7 Wheelbase	2.9 m	9.5 ft
8 Ground Clearance	437 mm	17.2 in
9 Curb Clearance	535 mm	21.1 in
Inside Turning Radius	3.68 m	12.07 ft
Hitch Articulation Angle	34°	
Hitch Oscillation Angle	15°	

## STANDARD EQUIPMENT *Varies by market- contact your dealer for specifics.*

### ELECTRICAL

- 24 volt Electrical System
- 100 ampere Alternator
- 750 Cold-cranking Amps Battery Capacity

### OPERATOR ENVIRONMENT

- Open Platform with Handrails/Guardrails, Floor Mat, Steel Sun Canopy
- Vinyl Adjustable Pivoting Seat with Integrated Console and LCD Display
- Multifunction LCD Display with gauges and audible warning for: *Hydraulic oil temperature, Engine oil pressure, Engine coolant temperature, Alternator charge, Fuel level, Service hour meter, Engine RPM, Ground speed, Vibe frequency, Fuel rate, Air filter constriction, Engine load and Optional Cat Compaction Control*
- Adjustable Tilting Steering Column with Integrated Cup Holders
- Seat Belt
- 12-volt Power Outlet
- Interior Rear View Mirror
- Horn, Backup Alarm

### POWER TRAIN

- Cat C6.6 Diesel Engine
- Air Cleaner, Dual Element
- Three-speed Throttle Switch, Eco-mode and Automatic Speed Control
- Dual Propel Pumps; One for Drum Drive, One for Rear Axle
- Fuel Filter, Water Separator, Priming Pump, Water Indicator
- Tilting Radiator/Hydraulic Oil Cooler
- Dual Braking System
- Two-speed Hydrostatic Transmission

### VIBRATORY SYSTEM

- Smooth Drum
- Dual Amplitude, Single Frequency
- Dual Pod-Style Eccentric Weight Housings
- Auto-vibe Function
- Front Adjustable Steel Scrapers

### OTHER

- Sight Gauges for Hydraulic Oil Level and Radiator Coolant Level
- S-O-S<sup>SM</sup> Sampling Valves: Engine Oil, Hydraulic Oil and Coolant

## OPTIONAL EQUIPMENT

- ROPS/FOPS Cab with Climate Control
- Padfoot Shell Kit (oval or square pads available- includes bumper)
- Variable Vibration Frequency
- Beacon, Rotating
- Polyurethane Drum Scrapers
- Steel Rear-side Drum Scraper
- Sun Visor
- Deluxe High-back Air-ride Pivoting Seat (with Cab only)
- Cat Compaction Control, Machine Drive Power or CMV
- SBAS GNSS Mapping for Cat Compaction Control (RTK available)
- Upgraded Halogen Light Package
- Cab Internal Rear View Mirrors
- Cab Internal Roll-down Sun Screen
- Product Link™
- Additional Rear View Mirrors
- Fuel Fill Access Door
- Transmission Guard

For more complete information on Cat products, dealer services, and industry solutions, visit us on the web at [www.cat.com](http://www.cat.com)

QEHQ1833 (8-14)

© 2014 Caterpillar  
All Rights Reserved  
Printed in U.S.A.

LRC

Materials and specifications are subject to change without notice. Featured machines in photos may include additional equipment. See your Cat dealer for available options.

CAT, CATERPILLAR, SAFETY.CAT.COM, their respective logos, "Caterpillar Yellow" and the "Power Edge" trade dress, as well as corporate and product identity used herein, are trademarks of Caterpillar and may not be used without permission.

